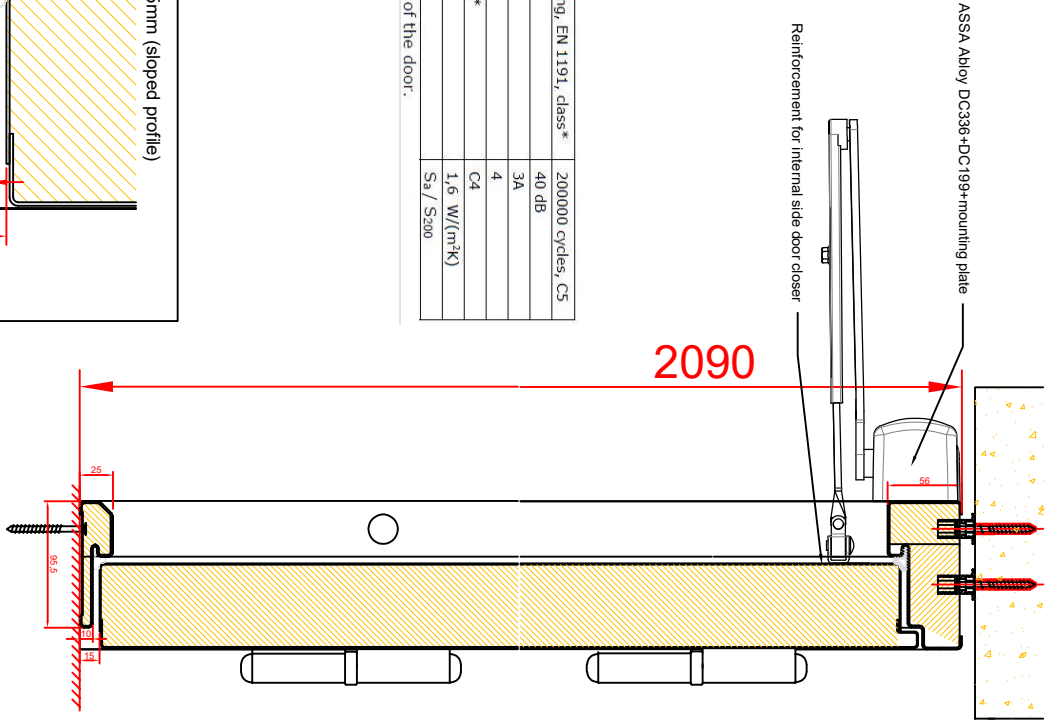
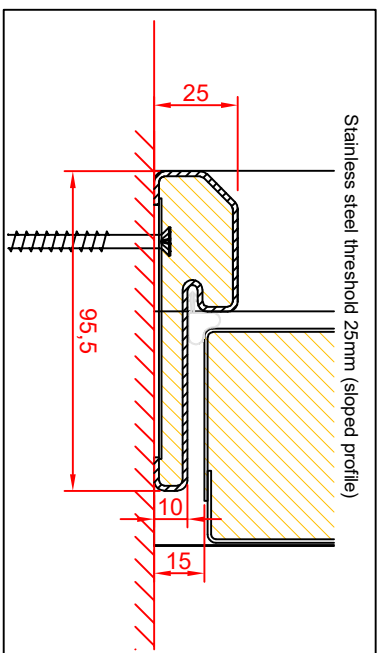


Litubi:	Muldatus:	Kiupšav	Mutija	Kont.
Rev.nr:				

Resistance to repeated opening and closing, EN 1191, class*	200000 cycles, C5
Sound insulation: Rw: EN ISO 717-1*	40 dB
Watertightness, EN 1027, class*	3A
Air permeability, EN 1026, class*	4
Resistance to wind load, EN 12211, class*	C4
Thermal transmittance, EN 10077*	1,6 W/(m ² K)
Smoke-tightness, EN 1634-3, class*	S4 / S200

*Declared values depend on the size of the door.



Osa	Nimetus	Kiupšav	Koogs
Konstruktör:	Magnus Kinnapas	05.09.2024	
Kontrollis:			
Fail:	Hüasamiõjan - stock door EI60 external		
Kood:			
Tähis:	990x2090 - EI60 Sa/S200		
Suurus:	A4		
Rev.nr:			



AS Sakumetall OÜ, adivõttajad